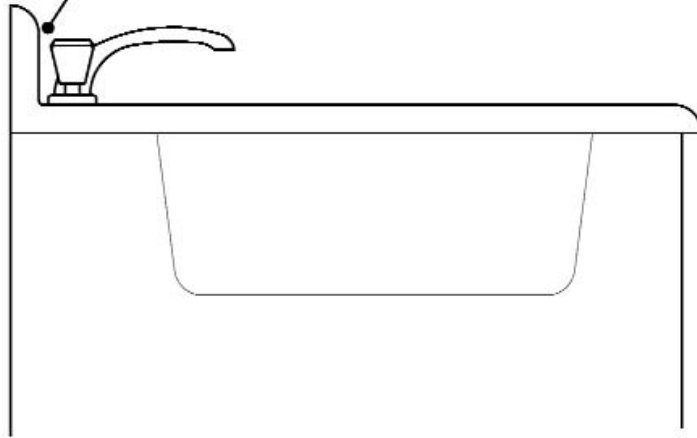


TOO TIGHT TO CLEAN



AMPLE ROOM TO CLEAN

